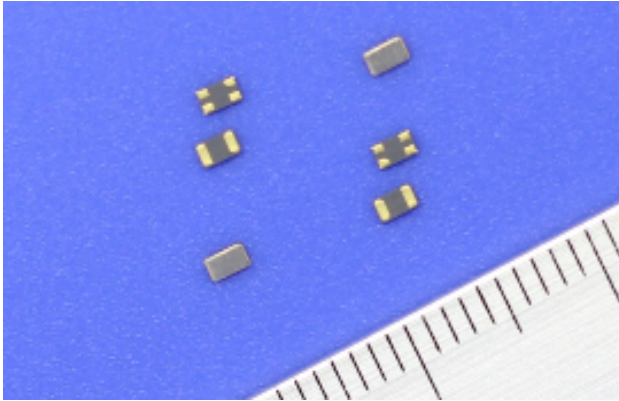


SC-20T



FEATURES

- Ultra thin type with height 0.35mm max.
- SMD type suitable for high density surface mounting.
- Excellent shock and heat resistance.
- Pb-free.
- Complies with EU RoHS directive.
- A crystal resonator processed by high reliable photolithographic technology inside.

APPLICATIONS

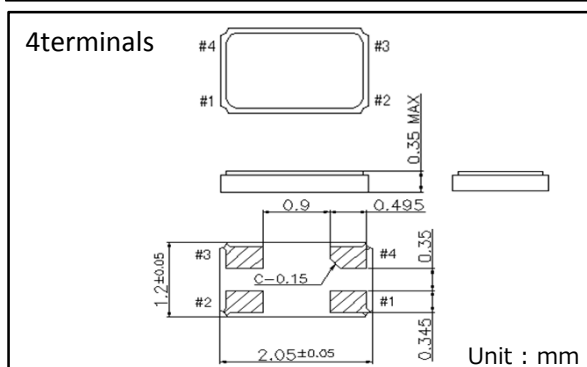
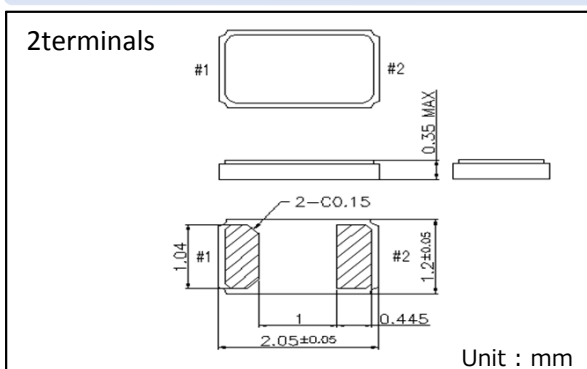
Smart card, Wearable, Module, Sub-clock function for a variety of Microcomputer etc.

STANDARD SPECIFICATIONS

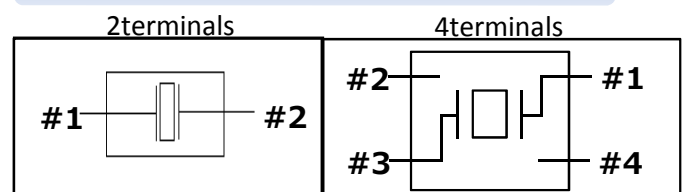
Conditions where not specified (Temperature: 25±2°C, DL:0.1μW)

Item	Symbol	Specifications		Conditions / Note
		2 terminals	4 terminals	
Nominal Frequency	f_nom	32.768kHz		
Frequency Tolerance	f_tol	±20×10 ⁻⁶		※Please contact us for inquiries regarding available tolerance.
Turnover Temperature	T _i	+25±5°C		
Parabolic Coefficient	B	(-0.033±10%)×10 ⁻⁶ /°C ²		
Load Capacitance	C _L	6.0pF, 7.0pF, 9.0pF, 12.5pF		※Please contact us for inquiries regarding available CL.
Motional Resistance (ESR)	R ₁	75kΩ max.		
Absolute Maximum Drive Level	DLmax.	1.0μW max.		
Level of Drive	DL	0.1μW typ.		
Shunt Capacitance	C ₀	1.0pF typ.	0.8pF typ.	
Frequency Ageing	f_age	±3×10 ⁻⁶		+25±3°C, First Year
Operating Temperature	T_use	-40~+85°C		
Storage Temperature	T_stg	-55~+125°C		Piece part basis

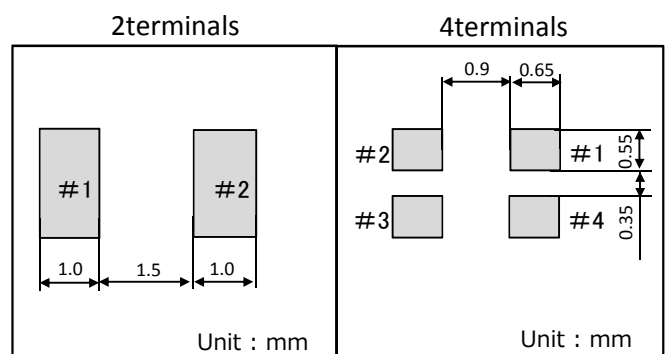
DIMENSIONS



INTERNAL LEAD CONNECTIONS



RECOMMENDED SOLDERING PATTERN



Remark: Please make sure that there is no pattern under SC-20T on the circuit board.